



32X40MM DELUXE PULL OUT POP UP WASTE

DESCRIPTION

Universal 32 x 40mm Pull-out Pop-up Basin
Waste

FEATURES

- Fully removable plug and grate unit
- Silicone plug seal, flange and backnut washers
- Suitable for overflow or non-overflow basins
- 40mm back-nut connects direct to 40mm trap (no need for extra trap adaptor)
- Australian Standard AS-1589 approved
- Solid DR Brass construction
- High density electroplating and power coating
- Hot pressed for strength and longevity
- 5 year parts only warranty on Pop-up wastes from date of purchase

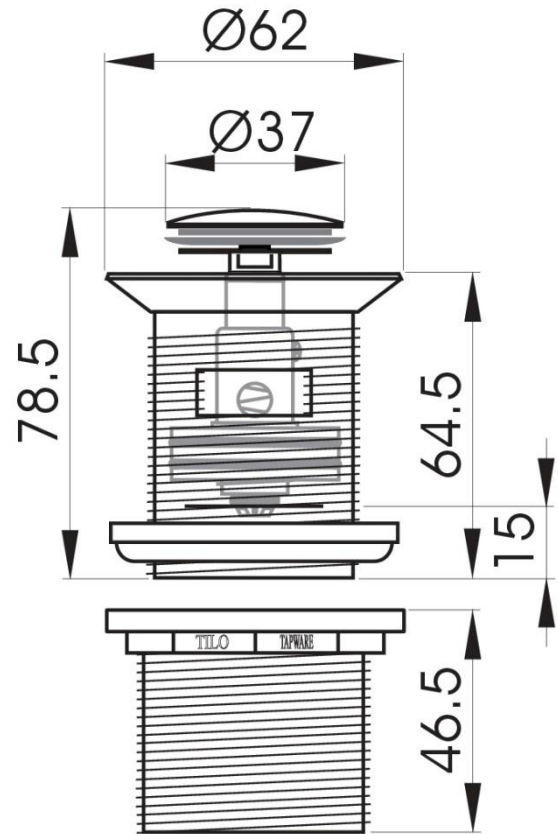
DETAILS

'WaterMark' Certification LN 23004

Part Code: TWS-21CB

Available Finishes: Chrome / Matte Black

TECHNICAL DETAILS



Note: Illustrations and specifications may vary from time to time