



Q4 DOUBLE BOWL SQUARE CORNER SINK

DESCRIPTION

Q4 Double Bowl Square Corner Sink

FEATURES

- Square corner
- Fine lustre finish
- 1.2mm 304 stainless steel
- Underside coated with an anti-condensation layer and sound deadening rubber pads all sides
- Includes standard lift-up plug & waste and set of undermount clips
- 25 year limited domestic manufacturer's warranty on sinks only from date of purchase

DETAILS

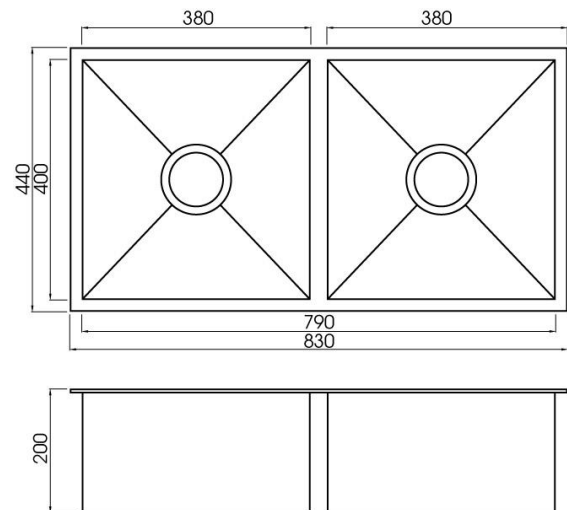
2 x 30.4L Capacity

Undermount or flushmount

Part Code: TKS-400

Available Finishes: Brushed

TECHNICAL DETAILS



Note: Illustrations and specifications may vary from time to time